



### Electrical Parameters

Voltage Options: 85-265V AC(Domestic) /265-360VAC(Ind.)

Power Supply Efficiency: >80%

Power Consumption: 28W

PF: >0.95 >= 0.99 when 110V

Total Harmonic distortion:30%

## GC1800-396 (6' – 1800mm)

### Optical Parameters

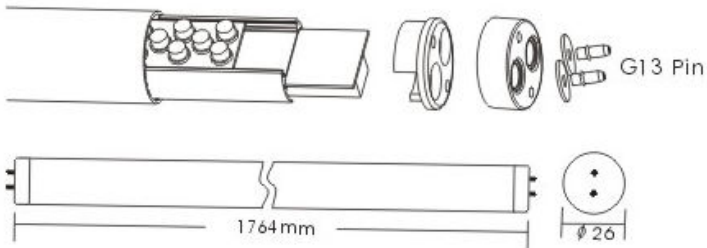
Luminaire Efficiency: >90%

LED Qty: 396

Color-Rendering Index: >75%@5000K

LED Efficiency: >90lm/w

Color Temp	Range Ref.	Inventory
Warm white	3100 - 3500K	3000K
Natural white	5000 - 5500K	5000K
Cool white	7000K- 8500k	7000K
Lens Available	Clear	Wave



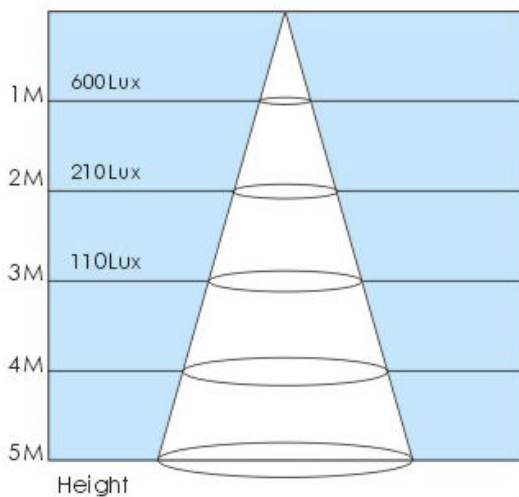
Patented Enhanced Rigid Structure and Thermal Treatment

### MAIN DATA

#### LUX

#### Test condition

Total Dark Room  
Room Temperature  
Everfine Lux Meter



#### Total Flux

Min 2250 Max 2650

### Other Parameters



Product Patent: yes

Operating Temperature (Humidity):-20°C-40°C(15-70%)

Stock Environment Temperature: 0-45°C

Dimension: Φ26xL1764mm

Main Material: Aluminum Alloy+PC

Net Weight: kg

IP Rating: IP40

Life Span: 50,000hrs or 10 Years

Tested by Everfine 2meter photometric sphere

